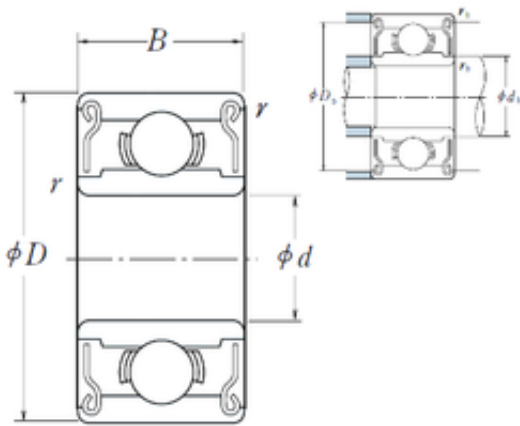




## Lloyd 's Machinery equipment, Alemania.



8 mm x 16 mm x 5 mm ISO 688AZZ Cojinetes de bolas profundas

Bearing No. 688AZZ

Size	8x16x5 mm
Bore Diameter	8 mm
Outer Diameter	16 mm
Width	5 mm
d	8 mm
D	16 mm
B	5 mm
C	5 mm
r min.	0,2 mm

688AZZ Bearing 2D drawings and 3D CAD models