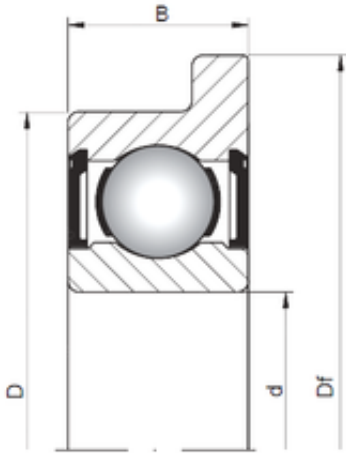




Lloyd 's Machinery equipment, Alemania.



3 mm x 8 mm x 4 mm ISO FL619/3 ZZ
Cojinetes de bolas profundas

Bearing No. FL619/3 ZZ

Size	3x8x4 mm
Bore Diameter	3 mm
Outer Diameter	8 mm
Width	4 mm
d	3 mm
D	8 mm
B	4 mm
C	4 mm
Df	9,5 mm

FL619/3 ZZ Bearing 2D drawings and 3D CAD models