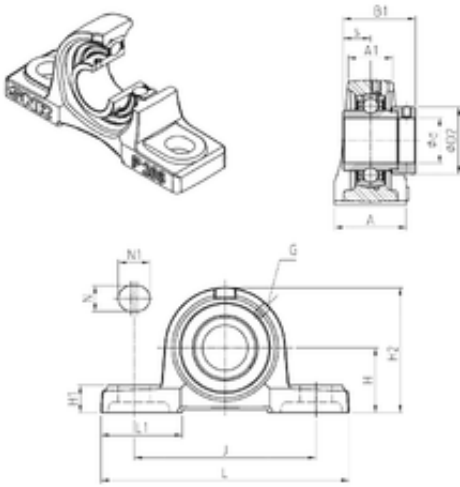




Lloyd 's Machinery equipment, Alemania.



SNR EXP319 Unidad De Rodamiento

Bearing No. EXP319

Bore Diameter	95 mm
d	95 mm
s	46,8 mm
A	120 mm
A1	75 mm
B1	122,3 mm
D2	140 mm
H	125 mm
H1	45 mm
H2	250 mm
J	360 mm
L	470 mm
L1	125 mm
N	36 mm
N1	50 mm
Thread (G)	M10x1
Weight	32 Kg
Basic dynamic load rating (C)	156 kN

EXP319 Bearing 2D drawings and 3D CAD models