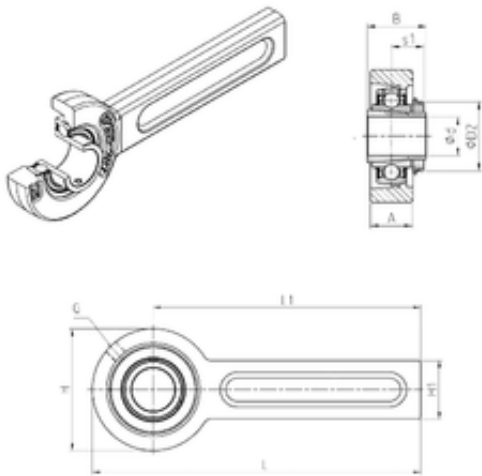




Lloyd 's Machinery equipment, Alemania.



UKSP208H Bearing 2D drawings and 3D CAD models

SNR UKSP208H Unidad De Rodamiento

Bearing No. UKSP208H

Bore Diameter	35 mm
Width	46 mm
d	35 mm
s1	24,5 mm
A	31 mm
B	46 mm
D2	58 mm
H	120 mm
H1	61 mm
L	320 mm
L1	260 mm
Thread (G)	R1/8"
Weight	4,3 Kg
Basic dynamic load rating (C)	29,6 kN
A5	24.5 mm
B1	46 mm
d1	58 mm
G	R1/8"
H2	61 mm
C	29.6 kN
C0	18.2 kN
T min.	-20 ° C
T max.	100 ° C
Adapter sleeve reference	H2308
Designation of housing	SP208-210/80-
Designation of bearing	UK208G2H



Lloyd 's Machinery equipment, Alemania.