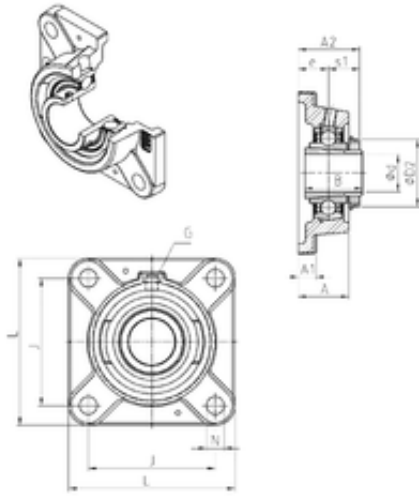




Lloyd 's Machinery equipment, Alemania.

SNR UKFE210H Unidad De Rodamiento

Bearing No. UKFE210H



UKFE210H Bearing 2D drawings and 3D CAD models

Bore Diameter	45 mm
d	45 mm
e	28 mm
s1	27,5 mm
A	44 mm
A1	13 mm
B	55 mm
D2	70 mm
J	111 mm
L	143 mm
N	18 mm
Thread (G)	R1/8"
A2	55,5 mm
Weight	2,7 Kg
Basic dynamic load rating (C)	35,1 kN