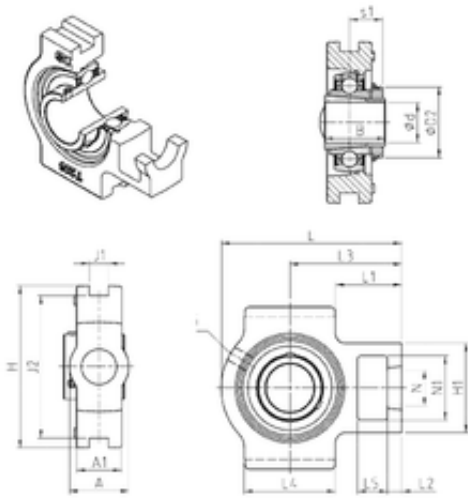




## Lloyd 's Machinery equipment, Alemania.



UKT308H Bearing 2D drawings and 3D CAD models

### SNR UKT308H Unidad De Rodamiento

Bearing No. UKT308H

Bore Diameter	35 mm
d	35 mm
L4	89 mm
L5	22 mm
L2	19 mm
L3	100 mm
s1	27,5 mm
A	50 mm
A1	34 mm
B	46 mm
D2	58 mm
H	124 mm
H1	83 mm
L	162 mm
L1	55,5 mm
N	32 mm
N1	50 mm
Thread (G)	M6x1
J1	18 mm
J2	112 mm
Weight	3 Kg
Basic dynamic load rating (C)	40,56 kN
A2	34 mm
A5	27.5 mm
B1	46 mm
d1	58 mm



## Lloyd 's Machinery equipment, Alemania.

G	M6x1
H2	83 mm
N2	50 mm
C	40.56 kN
C0	24 kN
T min.	-20 ° C
T max.	100 ° C
Adapter sleeve reference	H2308
Designation of housing	T308-
Designation of bearing	UK308G2H