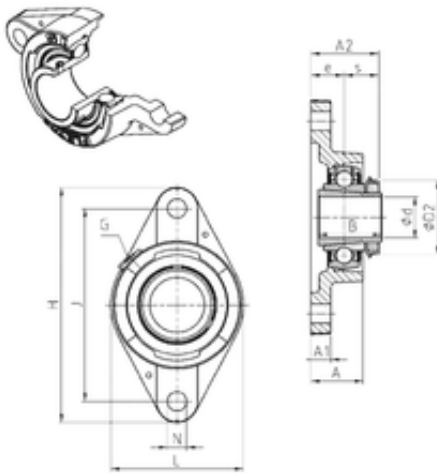




Lloyd 's Machinery equipment, Alemania.



SNR UKFLE212H Unidad De Rodamiento

Bearing No. UKFLE212H

Bore Diameter	55 mm
d	55 mm
e	34 mm
s1	31 mm
A	50,4 mm
A1	16 mm
B	62 mm
D2	80 mm
H	238 mm
J	202 mm
L	138 mm
N	18 mm
Thread (G)	R1/8"
A2	65 mm
Weight	3,7 Kg
Basic dynamic load rating (C)	52,5 kN

UKFLE212H Bearing 2D drawings and 3D CAD models