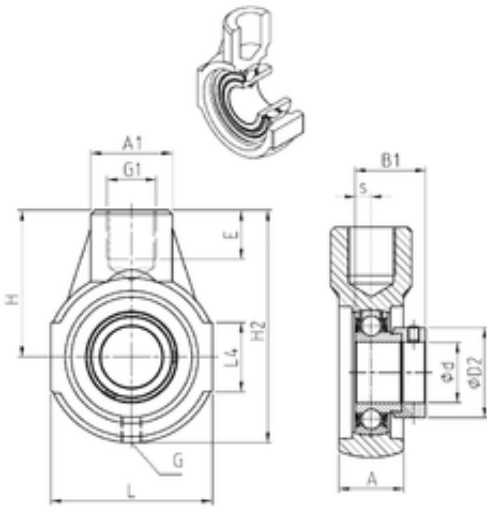




Lloyd 's Machinery equipment, Alemania.

SNR ESEHE205 Unidad De Rodamiento

Bearing No. ESEHE205



ESEHE205 Bearing 2D drawings and 3D CAD models

Bore Diameter	25 mm
d	25 mm
L4	38 mm
s	7,5 mm
A	28 mm
A1	35 mm
B1	30,9 mm
D2	38,1 mm
E	22 mm
G1	M20 mm
H	64 mm
H2	99 mm
L	70 mm
Thread (G)	R1/8"
Weight	1,1 Kg
Basic dynamic load rating (C)	14 kN
A2	35 mm
B	21.4 mm
A5	13.9 mm
d1	37.4 mm
G	R1/8"
L1	64 mm
L3	38 mm
s1	24.2 mm
S	7.5 mm
SW	3 mm



Lloyd 's Machinery equipment, Alemania.

C	14 kN
C0	7.88 kN
T min.	-20 ° C
T max.	100 ° C
Recommended tightening torque for set screw	5.5 Nm
Designation of housing	EHE205-
Designation of bearing	ES205G2