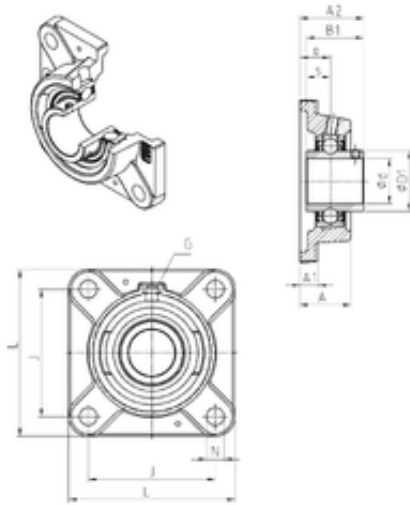




Lloyd 's Machinery equipment, Alemania.



SNR UCFE214 Unidad De Rodamiento

Bearing No. UCFE214

Bore Diameter	70 mm
d	70 mm
e	38 mm
s	30,2 mm
A	56 mm
A1	18 mm
B1	74,6 mm
D1	86,5 mm
J	150 mm
L	188 mm
N	18 mm
Thread (G)	R1/8"
A2	82,4 mm
Weight	6,2 Kg
Basic dynamic load rating (C)	62 kN

UCFE214 Bearing 2D drawings and 3D CAD models