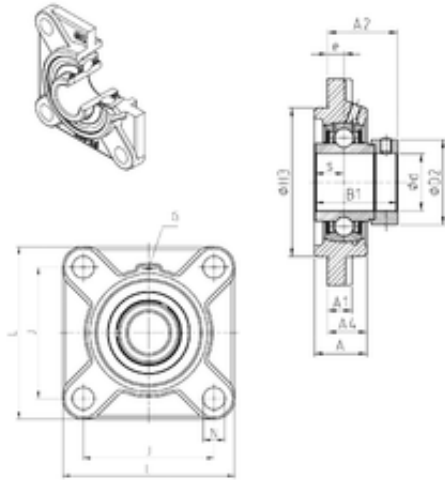




# Lloyd 's Machinery equipment, Alemania.



## SNR EXFS318 Unidad De Rodamiento

Bearing No. EXFS318

Bore Diameter	90 mm
d	90 mm
H3	240 mm
A4	56 mm
e	24 mm
s	43,6 mm
A	76 mm
A1	30 mm
B1	115,9 mm
D2	133 mm
J	216 mm
L	280 mm
N	35 mm
Thread (G)	M10x1
A2	96,3 mm
Weight	22,4 Kg
Basic dynamic load rating (C)	143 kN

EXFS318 Bearing 2D drawings and 3D CAD models