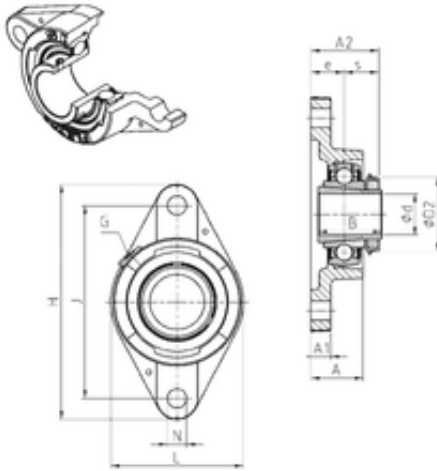




Lloyd 's Machinery equipment, Alemania.



SNR UKFLE208H Unidad De Rodamiento

Bearing No. UKFLE208H

Bore Diameter	35 mm
d	35 mm
e	24 mm
s1	24,5 mm
A	37,5 mm
A1	13 mm
B	46 mm
D2	58 mm
H	172 mm
J	143,5 mm
L	105 mm
N	14 mm
Thread (G)	R1/8"
A2	48,5 mm
Weight	1,7 Kg
Basic dynamic load rating (C)	29,6 kN

UKFLE208H Bearing 2D drawings and 3D CAD models