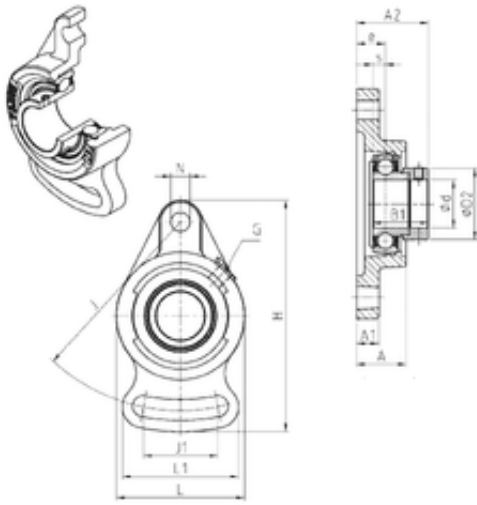




Lloyd 's Machinery equipment, Alemania.



ESFA210 Bearing 2D drawings and 3D CAD models

SNR ESFA210 Unidad De Rodamiento

Bearing No. ESFA210

Bore Diameter	50 mm
d	50 mm
e	22 mm
s	11 mm
A	40 mm
A1	18 mm
B1	43,7 mm
D2	69,9 mm
H	190 mm
J	157 mm
L	115 mm
L1	94 mm
N	15 mm
Thread (G)	M6x1
A2	54,7 mm
J1	76 mm
Weight	2,7 Kg
Basic dynamic load rating (C)	35,1 kN